

# Installation instructions for PZ4AL-02372-00, PZ4AL-02373-00 Under Run Protective Shield Engine Bay and Transmission Case

## TOYOTA RAV4



Model Year

**RAV4 - 2012 - 2015 -**

Applicability:

ZSA44L-ANFXK; ZSA44L-ANXXK  
ZSA44L-ANXGK; ZSA44L-ANYXKX  
ZSA44L-ANYMKX; ALA49L-ANTGXX  
ASA44L-ANTGKX; ASA44L-ANTMKX  
ALA49L-ANTMXX; ZSA42L-ANYXKX  
ZSA44L-ANFMKX; ZSA42L-ANYMKX  
ZSA42L-ANFXKX; ALA49L-ANTGYW

Part Number

Steel: PZ4AL-02372-00

Aluminium: PZ4AL-02373-00



Weight

Steel: 9,45 kg

Aluminium: 6,08 kg

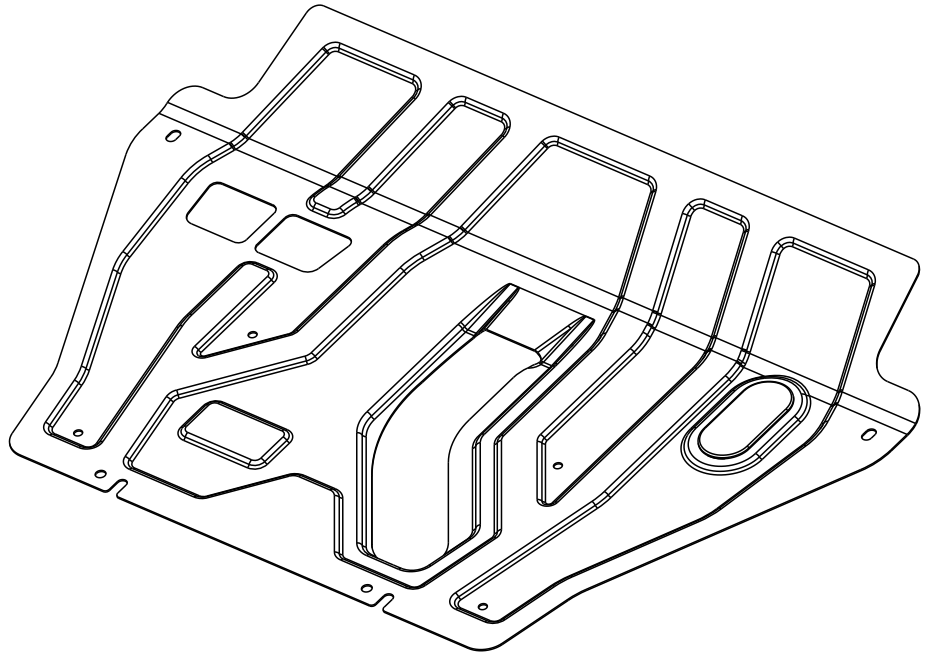


Installation Time

15-30 min

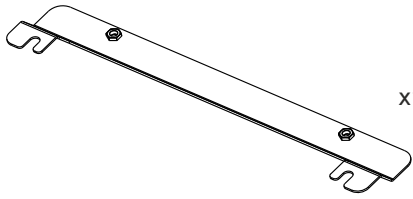
PZ4AL-02372-00, PZ4AL-02373-00

**A**



x1

**F**



x1

PZ4AL-08760-60

**B1**



x2 M10x20

**B2**



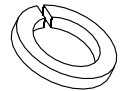
x2 M10x100

**C1**



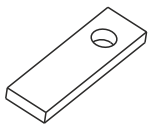
x4 Ø 10

**C2**



x4 Ø 10G

**D**

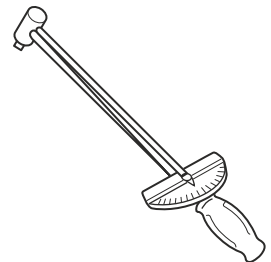
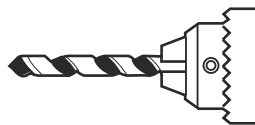
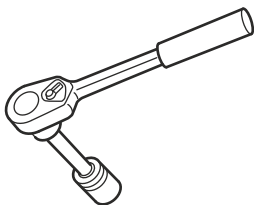


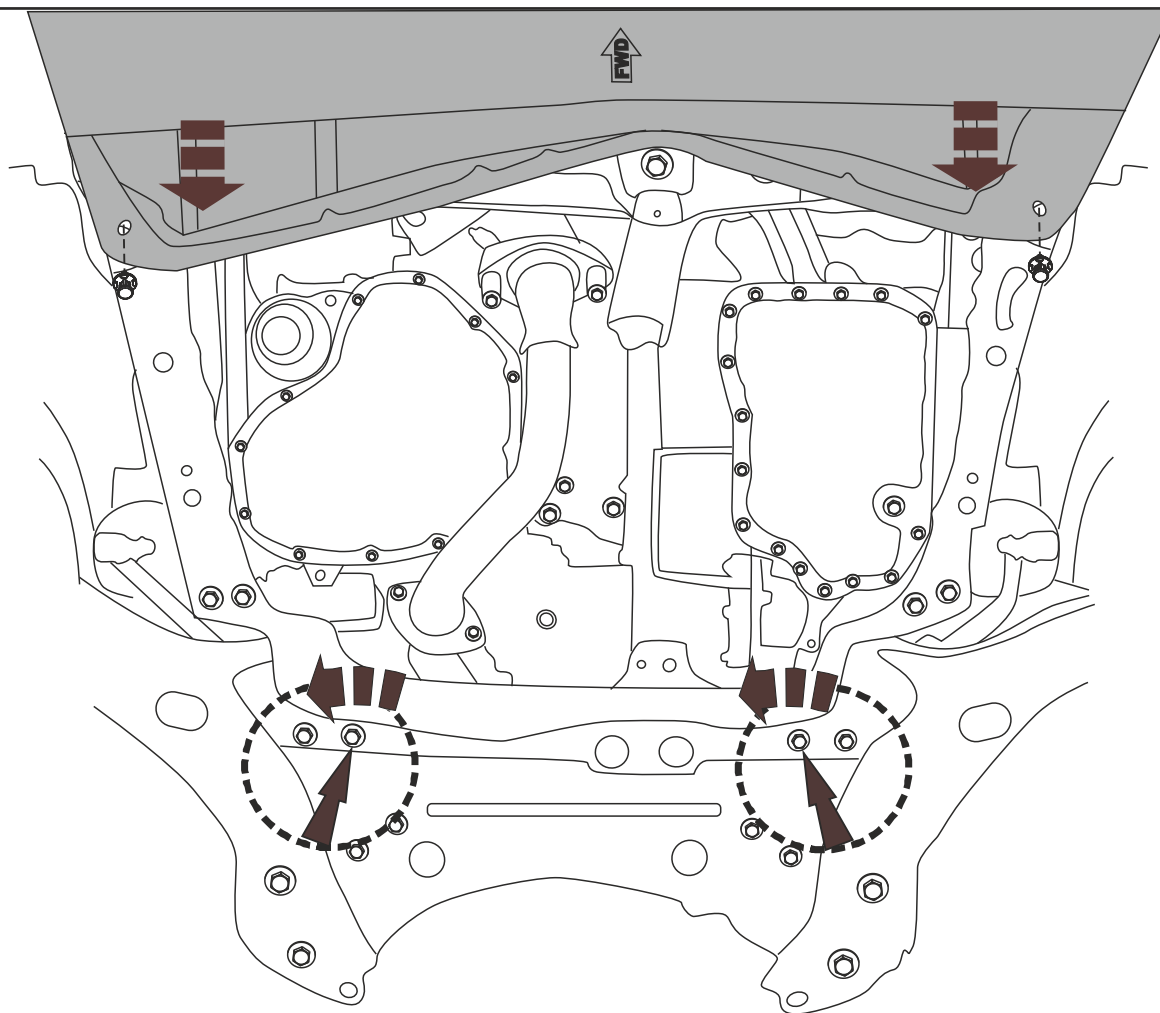
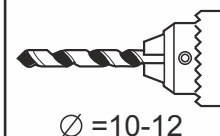
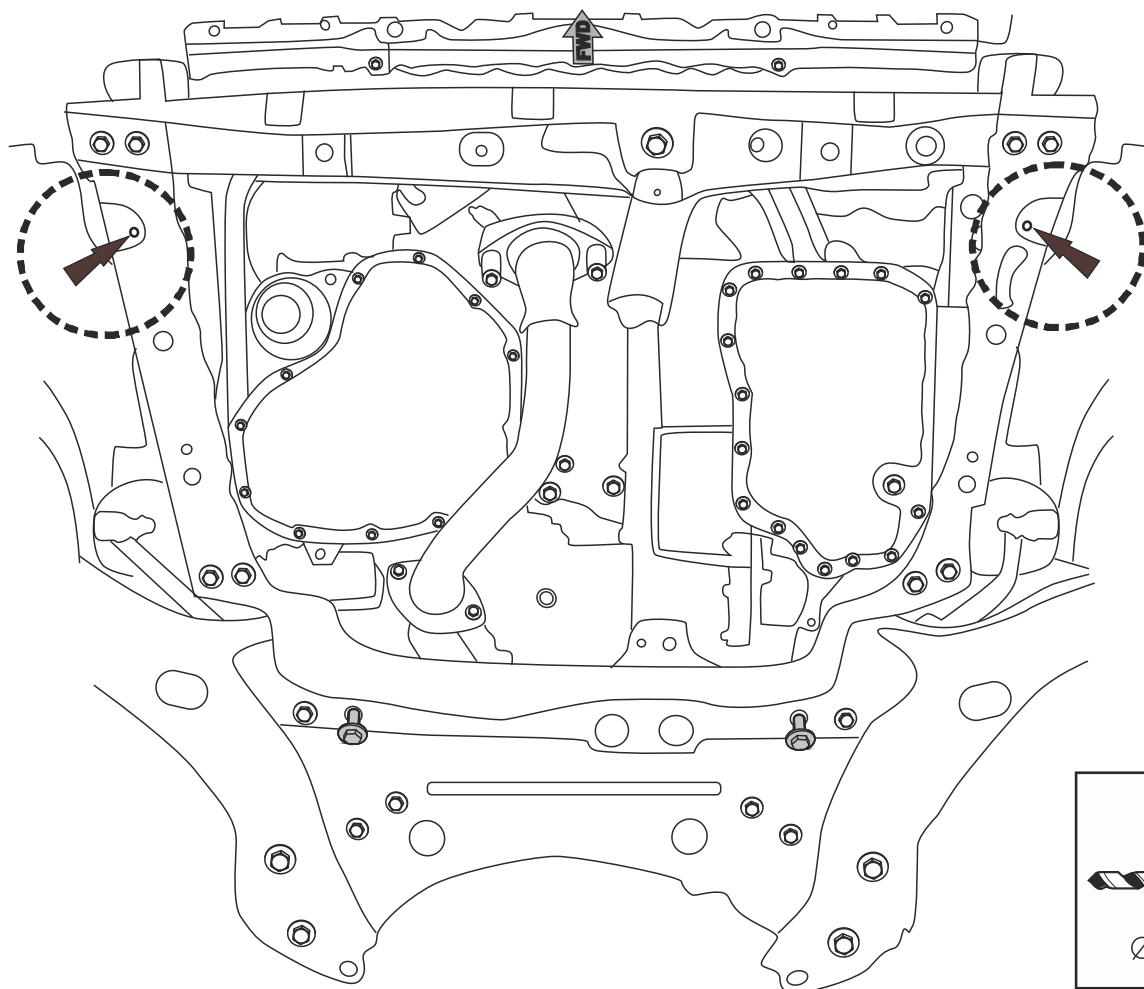
x2

**E**

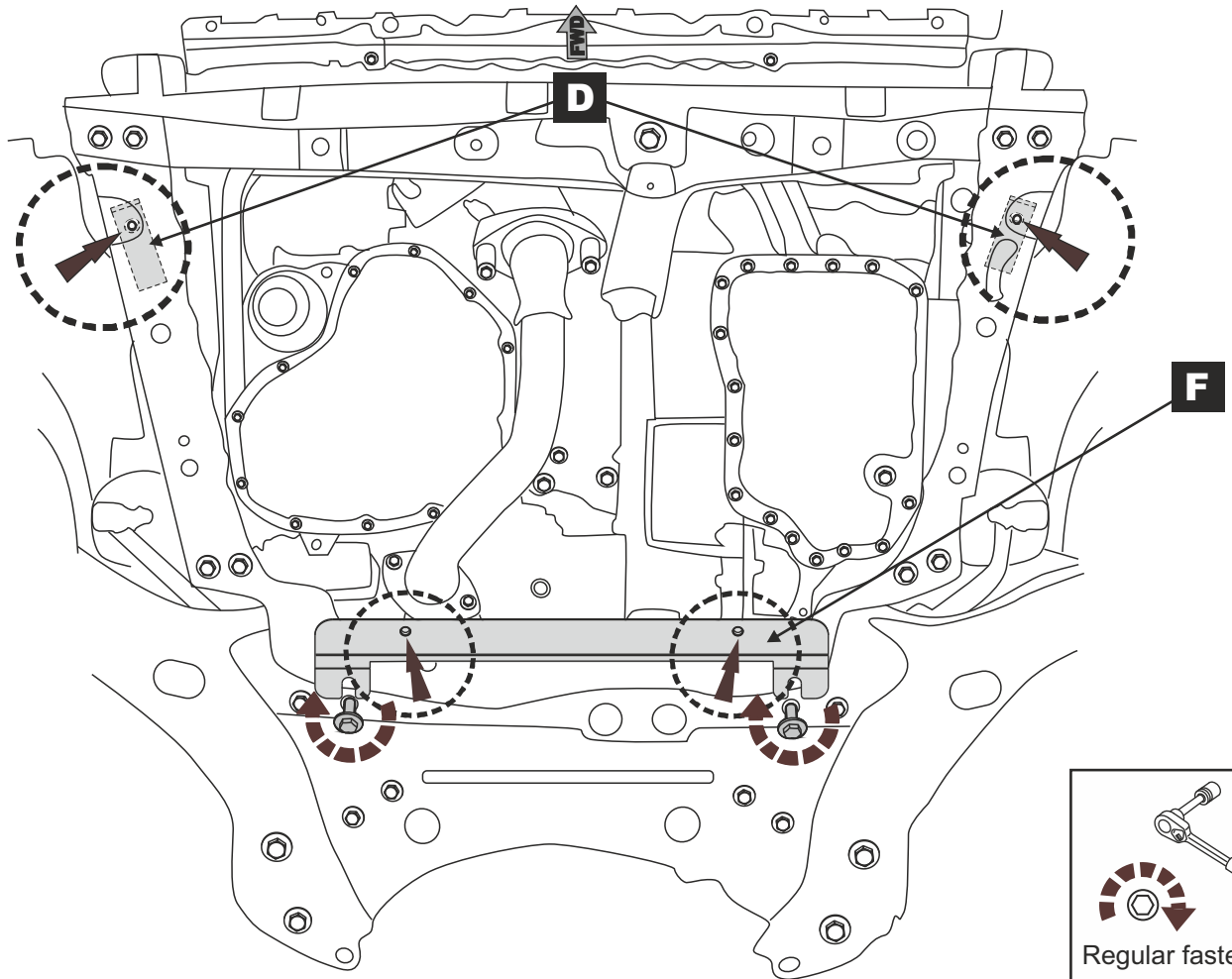


x2

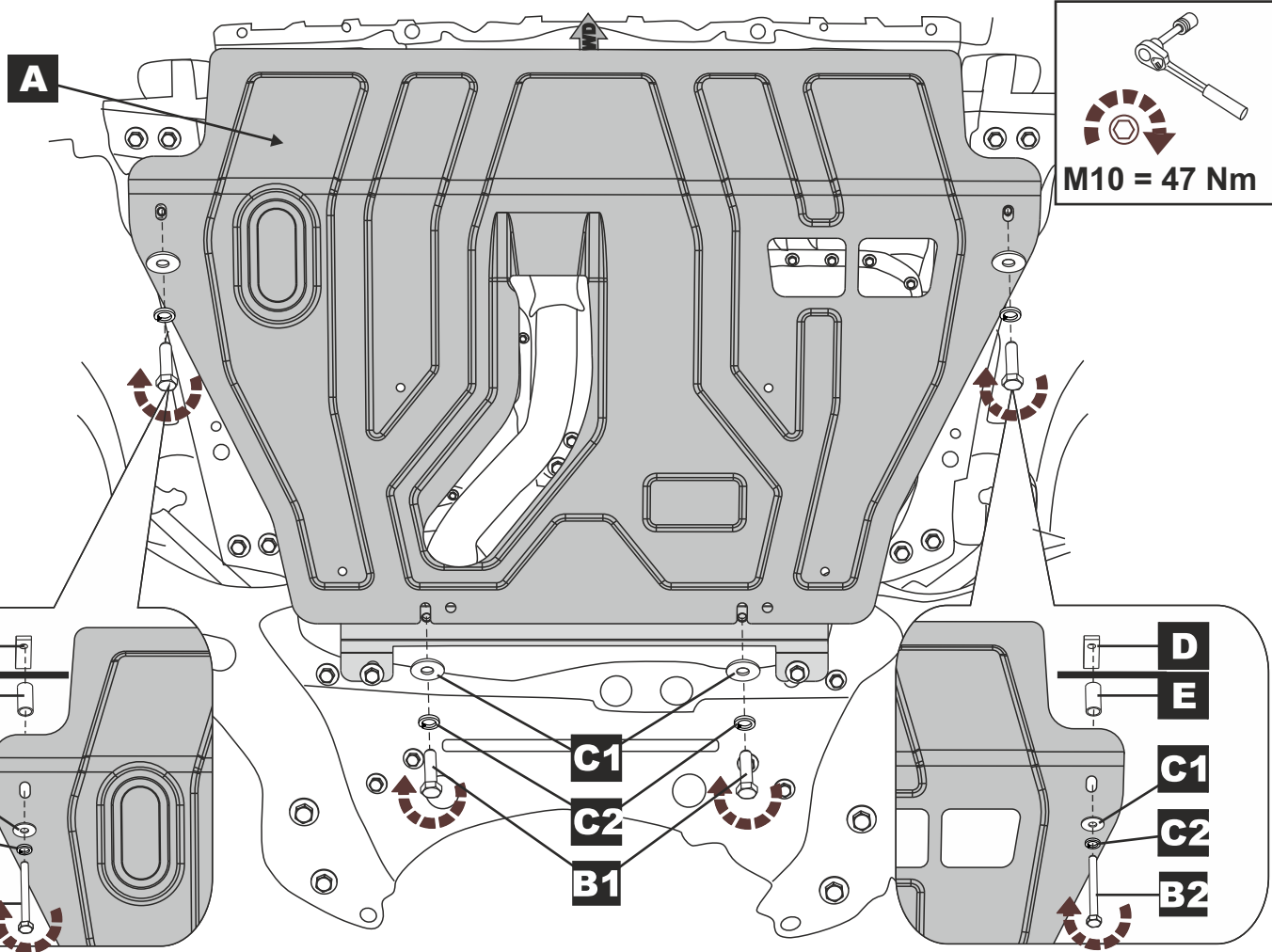


**1****2**

**3**



**4**



5

